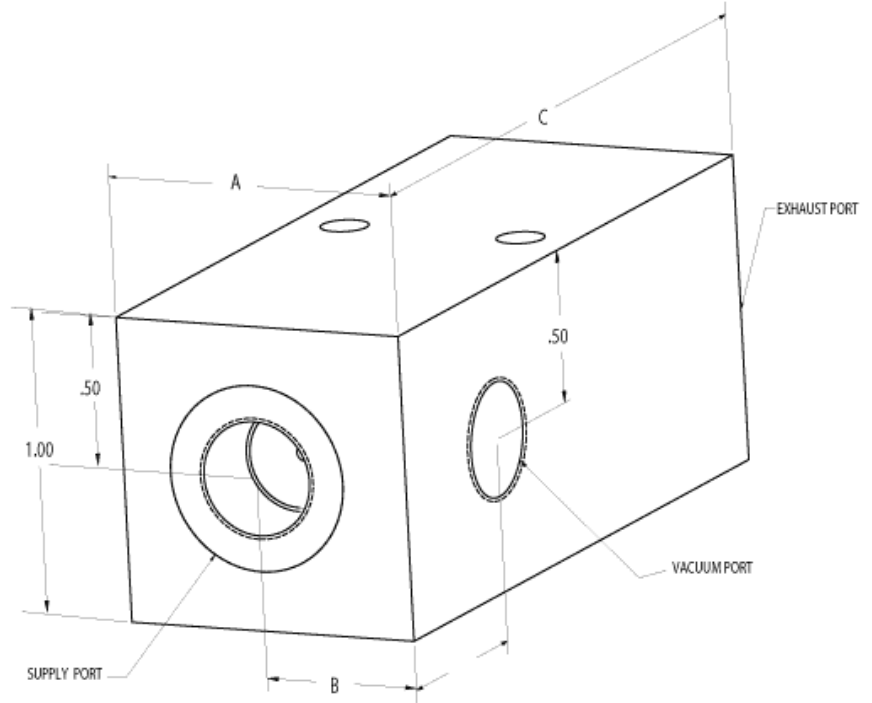


VENTURI VACUUM GENERATORS

Unlike traditional vacuum pumps, iQValves venturis are compact with no moving parts. Our vacuum generators can easily be installed wherever vacuum is used, either directly mounted on existing equipment, or manifolded to supply vacuum to different locations. Our venturis require no maintenance, do not generate heat and are capable of producing vacuum levels as high as 27" Hg. We offer 12 standardized models to choose from plus custom designs for specialty applications.



PART NUMBER	DIMENSIONS (INCHES)				PORT SIZE (NPT)			PERFORMANCE DATA				PRICE (EA)
	"A"	"B"	"C"	"D"	SUP.	VAC.	EXH.	OP. PRESS (PSI)	MAX VAC. LEVEL (HG)	MAX VAC. FLOW (SCFM)	SUPPLY FLOW (SCFM @ OP. PRESS)	
181804	1.00	.500	1.887	.600	1/8	1/8	1/4	90	22	.62	.94	\$31.75
181810	1.00	.500	2.233	.600	1/8	1/8	1/4	90	22.5	1.38	2.23	\$34.03
181859	1.00	.500	2.000	.600	1/8	1/8	1/4	60	27	.64	2.90	\$60.75
181813	1.00	.529	2.430	.660	1/8	1/8	1/4	60	26	1.20	4.35	\$60.75
181812	1.25	.750	3.145	.725	1/8	1/4	1/8	90	19.5	4.20	3.74	\$60.75
181820	1.25	.779	2.650	.660	1/8	1/4	1/4	60	27	1.44	4.70	\$63.10
181814	1.25	.885	3.640	.660	1/8	1/4	1/4	90	27.5	1.83	5.28	\$88.88
181816	1.25	.750	3.667	.780	1/8	3/8	3/8	90	23.5	5.05	5.22	\$66.27
181819	1.25	.812	2.650	.790	1/8	1/4	1/4	60	27	1.95	8.66	\$72.88
181818	1.25	.750	3.640	.730	1/8	3/8	3/8	90	24.5	6.05	8.60	\$72.88
181801	1.25	.750	5.000	.730	1/8	3/8	3/8	90	24	8.37	13.1	\$106.03
181803	1.50	1.00	5.500	.980	1/4	3/8	1/2	90	17.5	11.4	24.4	\$132.53