

# iQ Special Proportional Valve

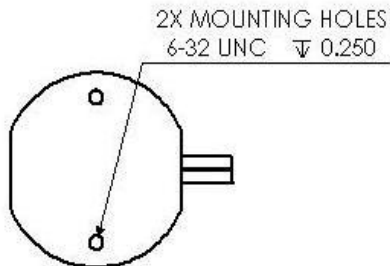
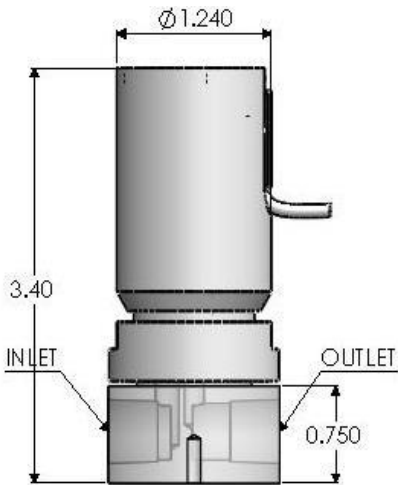
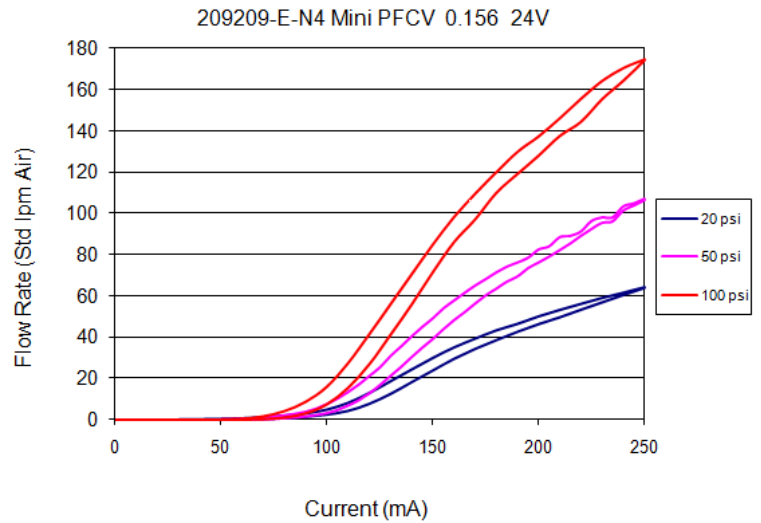
## Mini 209209-E-N4

The iQ Mini, 209209-E-N4, is a modified mini proportional valve in the iQ Valves mini family. The valve is specially made with **EPDM** seals to better serve applications demanding lower temperature performance. The 1/4" NPT porting and **noise reduction mechanism** makes it perfect for use in liquid applications like **coolant flow control**. Signal Amplifiers are also available to control these valves using 0-5V, 0-10V or 4-20 mA control signal.

### General Performance Specification

#### Typical Flow Characteristics

- Function:** 2 Way Normally Closed
- Orifice Size Range:** .156"
- Hysteresis:** < 10%
- Time Response:** < 20 msec
- Pressure Range:** 0 - 100 PSI
- Temperature Range:** -60 to 300° F
  
- Seal Material:** EPDM\*\*
- Wetted Material:** 300Series SS
- Fluid:** Air, Natural Gases & Liquids
- Voltage Range:** 24 Volt
- Lead Wires:** 22 AWG 6" long
- Weight – Brass Base:** 15 Oz.



PART NUMBER	ORIFICE SIZE	VOLT	POWER WATTS	INLET NPT	OUTLET NPT	FLOW@ 100 PSI LPM	PRICE(EA)
209209-E-N4	0.156	24	6	¼	¼	175	<a href="#">\$478.93</a>

\*Please refer to dimensional drawing for mounting specifications