

# iQ Special Proportional Valve

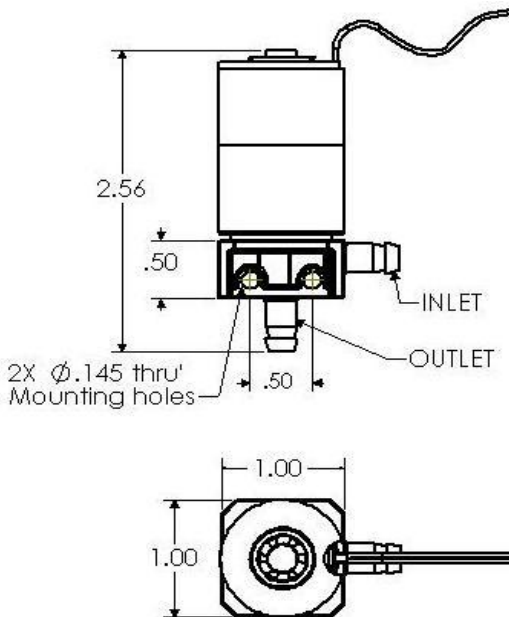
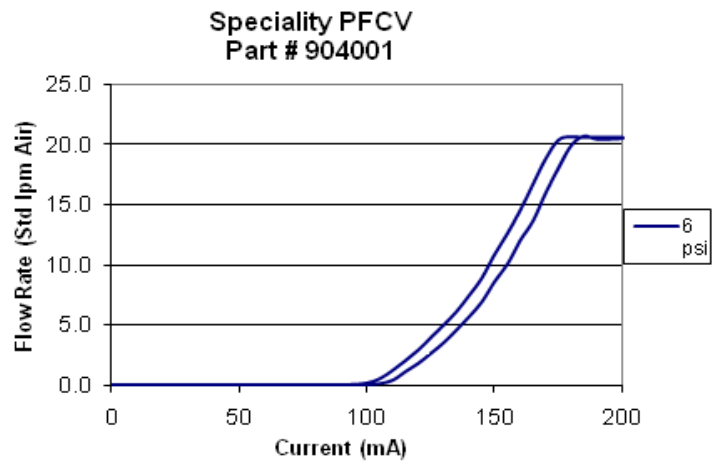
## Coral 904001

We have recently introduced a new valve to enhance the iQ Coral family line. This is a simplified design of our regular iQ Coral Valve. Specifically made to efficiently control the flow at a low/mid range pressure such as a low pressure **Medical application**. Our simplified design of the valve makes it **cost effective** and **easy for maintenance**. Signal Amplifiers are also available to control these valves using 0-5V, 0-10V or 4-20 mA control signal.

### General Performance Specification Typical Flow Characteristics

- Function:** 2 Way Normally Closed
- Orifice Size Range:** .0062"
- Hysteresis:** < 10%
- Time Response:** < 20 msec
- Pressure Range:** 0 - 10 PSI
- Temperature Range:** -20 to 400° F
- Seal Material:** Viton
- Wetted Material:** Utem & 300,400Series SS
- Fluid:** Gases & Liquids
- Voltage Range:** 12 Volt
- Lead Wires:** 26 AWG 9" long

**Weight – Brass**  
**Base: 3 Oz.**



PART NUMBER	ORIFICE SIZE	VOLT	POWER WATTS	INLET NPT	OUTLET NPT	FLOW@ 6 PSI LPM	PRICE(EA)
904001	0.062	12	2	Barb ¼" ID Tube	Barb ¼" ID Tube	20	<a href="#">\$49.99</a>

\*Please refer to dimensional drawing for mounting specifications

